

Suction Cups For Handling Packaging

Flat Suction Cup MF

Suction area (ϕ) 20mm to 50mm

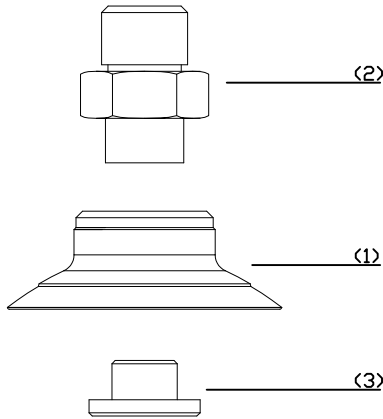
Flat Suction Cup MF



Introduction and application

- ◆ Round flat suction cup suitable for carton handling and packaging machinery
- ◆ Handling of cardboard and rigid packaging in top or side.
- ◆ Suitable for palletizing and demolition.
- ◆ Strong and wear-resistant suction cup, excellent sealing performance, suitable for high load applications

System design flat suction cups MF



Design

- ◆ Round flat suction cup MF (1) with soft, flexible sealing lip and reinforced structure on the cup surface
- ◆ Made of wear-proof material TPE-70
- ◆ Suction nipple with diameter up to 30 mm is plug-in nipple
- ◆ The 40mm diameter suction cup connector consists of two parts: machine-side component (2) and suction-side component (3)
- ◆ Clip-in filter screen (4) as pre-filter (filter pore size 250 μm)
- ◆ All connection nipples with external thread are equipped with integrated sealing

Ordering Data Flat Suction Cups MF

Item no.	Suction area ϕ [mm]	Material and Shore hardness
MF	20 to 50	TPE-70

Suction Cups For Handling Packaging

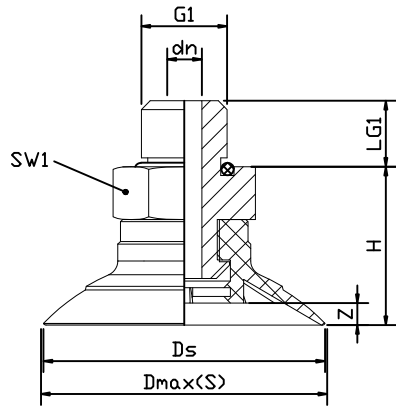
Flat Suction Cup MF

Suction area (ϕ) 20mm to 50mm

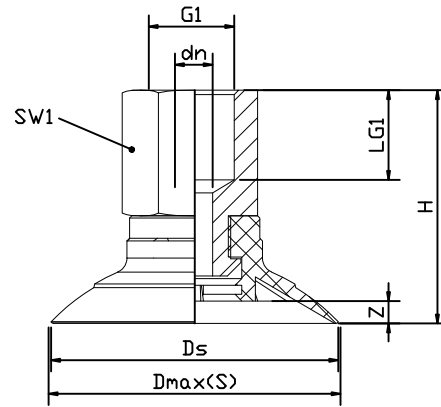


Design Data Flat Suction Cups MF

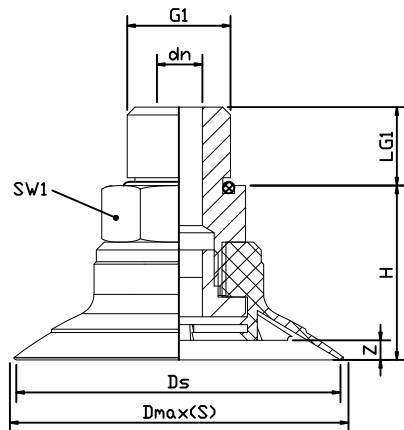
MF 20...30 AG



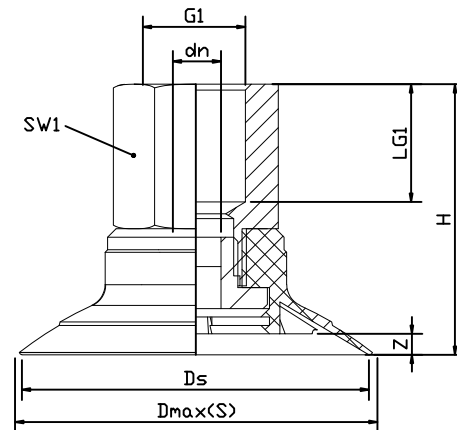
MF 20...30 IG



MF 40...50 AG



MF 40...50 IG



Design Data Flat Suction Cups MF

Type	Dimensions[mm]									
	dn	Ds	Dmax(S)	G1	H	LG1	SW1	Z(Stroke)		
MF 20 TPE-65 G1/8-AG	4.1	21.4	23.3	G1/8-M	17	7.5	14	2		
MF 20 TPE-65 G1/8-IG	4.1	21.4	23.3	G1/8-F	25	8	14	2		
MF 30 TPE-65 G1/8-AG	4.1	31.4	33.6	G1/8-M	18	7.5	14	2.5		
MF 30 TPE-65 G1/8-IG	4.1	31.4	33.6	G1/8-F	26	8	14	2.5		
MF 40 TPE-65 G1/4-AG	6.1	41.4	43.7	G1/4-M	22	10	17	2.5		
MF 40 TPE-65 G1/4-IG	6.1	41.4	43.7	G1/4-F	32	12	17	2.5		
MF 50 TPE-65 G1/4-AG	6.1	51.4	53.9	G1/4-M	23	10	17	3.5		
MF 50 TPE-65 G1/4-IG	6.1	51.4	53.9	G1/4-F	33	12	17	3.5		

Combined Suction Cups

Vacuum Suction Cups

Composite Suction Cups

Special Grippers

Vacuum Gripping Systems

Mounting Elements

Vacuum Generators

Valve Technology

Switch And Monitoring

Vacuum Filters

Suction Cups For Handling Packaging

Flat Suction Cup MF

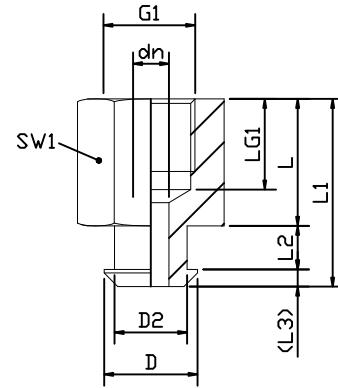
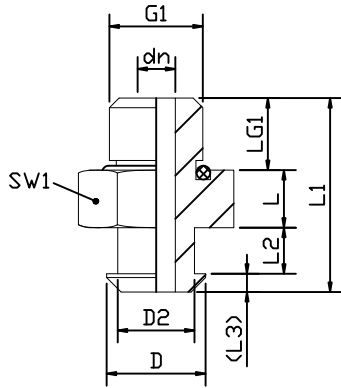
Suction area (ϕ) 20mm to 50mm



Design Data of Connecting part

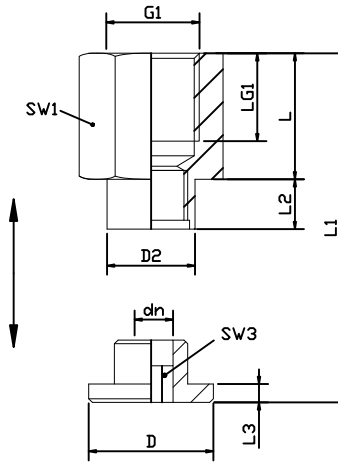
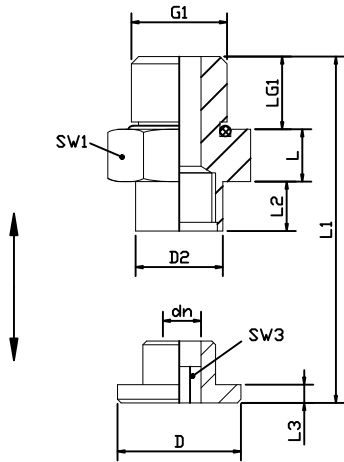
Connecting part SC 040 G1/8-M, suitable for MF-20...30

Connecting part SC 040 G1/8-F, suitable for MF-20...30



Connecting part SC 050 G1/4-M, suitable for MF-40...50

Connecting part SC 050 G1/4-F, suitable for MF-40...50



Type	Dimensions[mm]										
	D	D2	dn	G1	L	L1	L2	L3	LG1	SW1	SW2
SC 040 G1/8-AG	10.3	8	4	G1/8"-M	6.0	25.2	4.8	1.9	7.5	14	4
SC 040 G1/8-IG	10.3	8	4	G1/8"-F	14.0	20.7	4.8	1.9	8.0	14	4
SC 050 G1/4-AG	17.0	12	6	G1/4"-M	7.2	26.5	6.8	2.5	10.0	17	6
SC 050 G1/4-IG	17.0	12	6	G1/4"-F	17.2	26.5	6.8	2.5	12.0	17	6

Suction Cups For Handling Packaging

Flat Suction Cup MF

Suction area (ϕ) 20mm to 50mm



Ordering Data Flat Suction Cup MF

Ordering Data Spare Parts Flat Suction Cups MF

Type	Ordering Data
MF-20 TPE-70	90.02.03.00426
MF-30 TPE-70	90.02.03.00428
MF-40 TPE-70	90.02.03.00429
MF-50 TPE-70	90.02.03.00430



Ordering Data Flat Suction Cups MF

Type	Ordering Data
MF 20 TPE-70 G1/8-AG	90.02.01.00609
MF 20 TPE-70 G1/8-IG	90.02.01.00610
MF 30 TPE-70 G1/8-AG	90.02.01.00611
MF 30 TPE-70 G1/8-IG	90.02.01.00612
MF 40 TPE-70 G1/4-AG	90.02.01.00613
MF 40 TPE-70 G1/4-IG	90.02.01.00614
MF 50 TPE-70 G1/4-AG	90.02.01.00615
MF 50 TPE-70 G1/4-IG	90.02.01.00616

Ordering Data Accessories Flat Suction Cups MF

Type	MF 20	MF 30	MF 40	MF 50
SC 040 G1/8-AG	90.02.04.00027	90.02.04.00027		
SC 040 G1/8-IG	90.02.04.00028	90.02.04.00028		
SC 050 G1/4-AG			90.02.04.00029	90.02.04.00029
SC 050 G1/4-IG			90.02.04.00030	90.02.04.00030



Ordering Data of Optional Accessories

Type	Filter piece
MF 20 TPE-70 SC040	90.02.05.00001
MF 30 TPE-70 SC040	90.02.05.00001
MF 40 TPE-70 SC050	90.02.05.00002
MF 50 TPE-70 SC050	90.02.05.00002



Technical Data Flat Suction Cups MF

Type	Suction Force [N]	Pull-off force [N]	Lateral force [N]	Volume [cm ³]	Workpiece radius min [mm] (Convex)	Recom. internal hose diameter d[mm]	Connecting part SC...
MF-20 TPE-70 SC040	16.0	19.2	10.5	1.0	25	4	040
MF-30 TPE-70 SC040	29.5	35.3	22.5	2.3	45	6	040
MF-40 TPE-70 SC050	49.5	62.5	25.0	5.1	75	6	050
MF-50 TPE-70 SC050	74.2	87.4	44.0	7.9	100	6	050

Combined Suction Cups

Vacuum Suction Cups

Composite Suction Cups

Special Grippers

Vacuum Gripping Systems

Mounting Elements

Vacuum Generators

Valve Technology

Switch And Monitoring

Vacuum Filters

Suction Cups For Handling Packaging

Flat Suction Cup MF

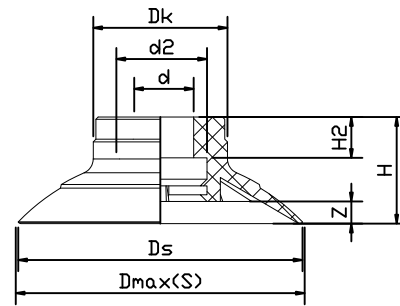
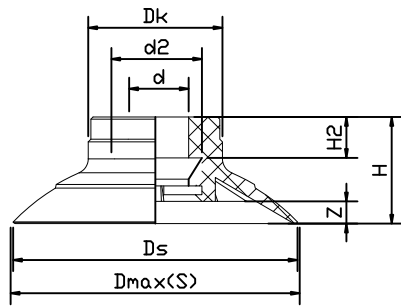
Suction area (ϕ) 20mm to 50mm



Spare Parts Flat suction cup MF

MF 20...30

MF 40...50



Type	Dimensions[mm]								
	d	d1	Dk	Ds	Dmax(S)	H	H2	Z(Stroke)	
MF 20 TPE-65 Sc040	7.5	10.5	15.1	21.4	23.3	11	4.6	2	
MF 30 TPE-65 SC040	7.5	10.5	15.1	31.4	33.6	12	4.6	2.5	
MF 40 TPE-65 SC050	11	17.5	21.6	41.4	43.7	15	7	2.5	
MF 50 TPE-65 SC050	11	17.5	21.6	51.4	53.9	16	7	3.5	

Combined Suction Cups

Vacuum Suction Cups

Composite Suction Cups

Special Grippers

Vacuum Gripping Systems

Mounting Elements

Vacuum Generators

Valve Technology

Switch And Monitoring

Vacuum Filters